

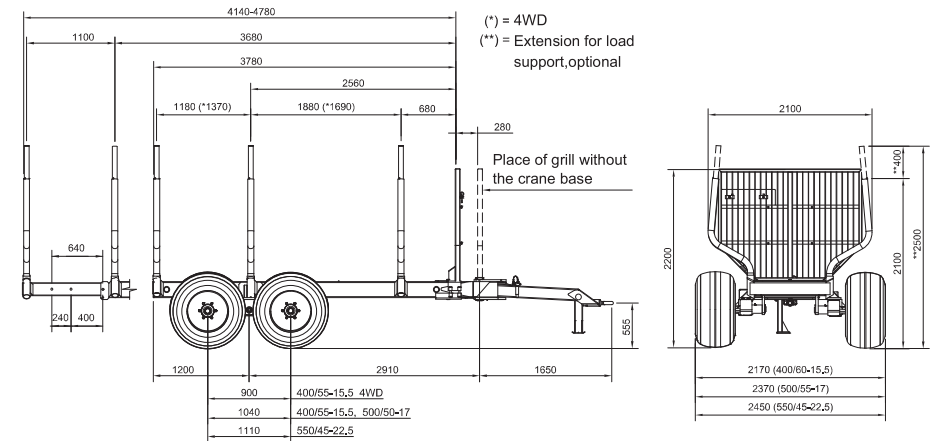


## KRONOS

## 100

## 100 4WD

	100	100 4WD
Weight	1490 kg	1850 kg
Carrying capacity	10 000 kg	10 000 kg
Cross-section area of load platform	2,1 m <sup>2</sup>	2,1 m <sup>2</sup>
Fixed Bolsters (standard)	6	6
Bogie movement range	20 degrees	20 degrees
Push force of trailer	–	16 kN
Ground clearance at bogie	~ 580 mm	~ 580 mm
Ground clearance at rear of frame	~ 580 mm	~ 580 mm



# KRONOS 100

## »» FOREST TRAILER

**KRONOS 100** and **100 4WD** are designed with double frame beams to make the structure rigid and to withstand large stresses even in demanding conditions. The 4WD model is hydraulically driven with a drive roller that automatically deploys between the tyres when the drive is switched on.

## »» FEATURES

- Long drawbar lead into the tractor for a maximum compliant trailer.
- Heavy duty posts, 12 mm wall thickness.
- 80 millimeter shafts on the hub.
- LED driving lights protected in off-road driving, optional.
- LED work lighting, optional.
- Reverse camera, optional.
- Frame extension, optional.