



KRONOS 160 4WDM

»» FOREST TRAILER

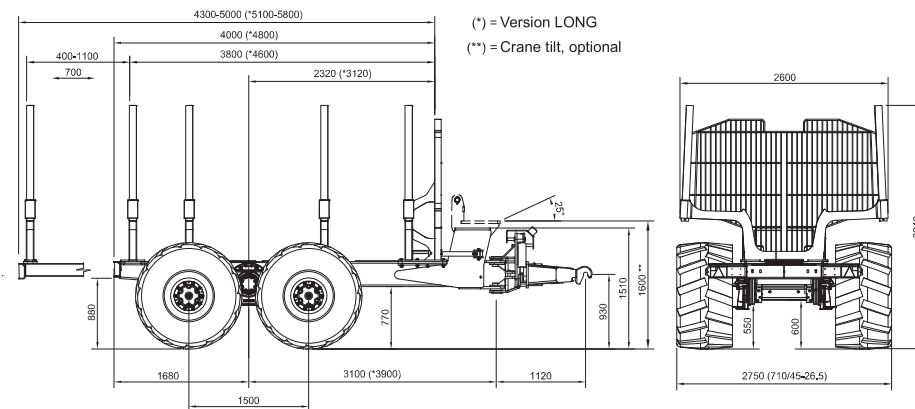
KRONOS 160 4WDM is a trailer for those who seek maximum performance in the terrain. It is a forwarder with the strengths of a tractor designed to withstand uneven loads and steep terrain. The trailer has a propulsion system with a bogie unit from NAF, well-regarded in the industry of forwarders and harvesters. It comes equipped with differential lock and wet disc brakes. The power transmission has a slip coupling to protect against temporary overload. The standard equipment includes a decoupling with built-in monitoring protection which alerts if the speed exceeds 10 km/h with the drive switched on. The trailers are compatible with chains or tracks.

»» FEATURES

- High driving force.
- Differential lock.
- High ground clearance.
- Heavy frame for large cranes and heavy loads.
- Powerful load carriers, well known in the forwarder industry.
- Y-drawbar with steering cylinders, optional.
- Functions overseen by a controller.
- Up to 800 millimeter wide tyres.
- Hydraulic frame extension.
- Crane tilt with +5 to -25° angle, optional.
- Centralized lubrication system.

KRONOS 160 4WDM

Weight	6600 kg
Carrying capacity	13 000 kg
Total weight permitted on bogie with max speed 30 km/h	16 000 kg
Cross-section area of load platform	3,45 m ²
Adjustable load bunks	3 pcs + 1 pcs integrated with the moveable gate
Bogie movement range	20 degrees
Push force of trailer	90 kN
Ground clearance at bogie	~ 660 mm
Ground clearance at rear of frame	~ 840 mm



»» Steering unit for the drive.