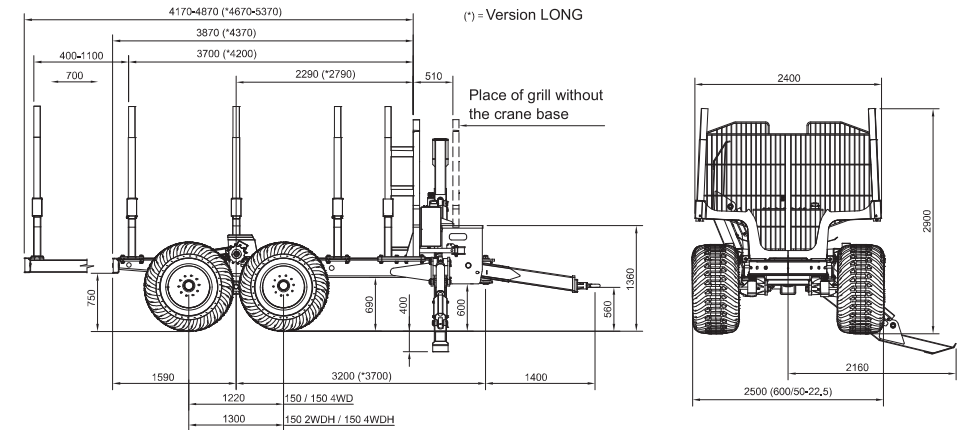




KRONOS	150	150 4WD	150 2WDH/4WDH
Weight	4100–4500 kg	4100–4900 kg	4100–4900 kg
Carrying capacity	15 000 kg	15 000 kg	15 000 kg
Cross-section area of load platform	3,2 m <sup>2</sup>	3,2 m <sup>2</sup>	3,2 m <sup>2</sup>
Adjustable load bunks			
(integrated with the moveable gate)	3 pcs (+ 1 pcs)	3 pcs (+ 1 pcs)	3 pcs (+ 1 pcs)
Bogie movement range	20 degrees	20 degrees	20 degrees
Push force of trailer	–	16 kN	26/52 kN
Ground clearance at bogie	~ 640 mm	~ 640 mm	~ 640 mm
Ground clearance at rear of frame	~ 700 mm	~ 700 mm	~ 700 mm



## KRONOS 150

### » FOREST TRAILER

The **KRONOS 150** and **150 4WD** are trailers with a large load capacity. They are suitable for those who need to be able to mount a large loader but at the same time want a trailer that is easy to pull on the road. The trailers are also available with hub motors and a maximum push force of 51 kN

### » FEATURES

- Large 600/50–22.5 tyres.
- Frame extension, optional.
- Frame built as a box.
- Durable load carriers, well known in the forwarder industry.
- Integrated LS-pump, optional.
- Y-drawbar with steering cylinders, optional.
- 100 millimeter pins in bogie and drawbar.
- Smart Drive / Smart Drive+, optional.