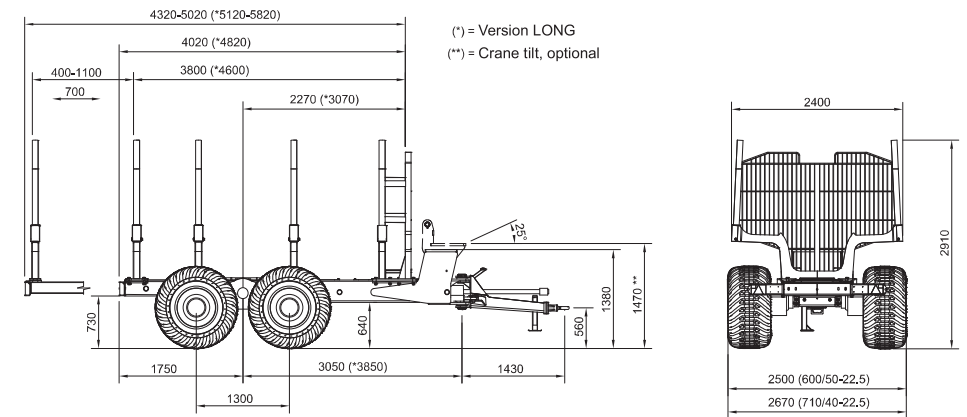




KRONOS 140

Weight	5400 kg
Carrying capacity	12 000 kg
Total weight permitted on bogie with max speed 30 km/h	14 000 kg
Cross-section area of load platform	3.2 m ²
Adjustable load bunks	3 pcs + 1 pcs integrated with the moveable gate
Bogie movement range	20 degrees
Push force of trailer	75 kN
Ground clearance at bogie	~ 550 mm
Ground clearance at rear of frame	~ 700 mm



KRONOS 140

»» FOREST TRAILER

The **KRONOS 140 4WDM** is a trailer for those who seek maximum performance in rough terrain. A forwarder with the tractor's traffic advantages, which have been designed to withstand uneven loads and steep terrain. The trailer has a propulsion system with a bogie unit from NAF which is well-regarded among forwarders and harvesters. It is equipped with differential lock and wet disc brakes. The power transmission has a slip coupling to protect against temporary overload. The standard equipment includes a decoupling with built-in monitoring protection that alerts if the speed exceeds

10 km/h with the drive switched on. The wheels can be fitted with chains or tracks.

»» FEATURES

- High push force.
- Differential lock.
- High ground clearance.
- Heavy frame for large cranes and large loads.
- Powerful load carriers, well known in the forwarder industry.
- Y-drawbar or normal boom with frame guide.
- Crane tilt with +5 to -25° angle, optional.
- Centralized lubrication system.



»» Steering unit for the drive.