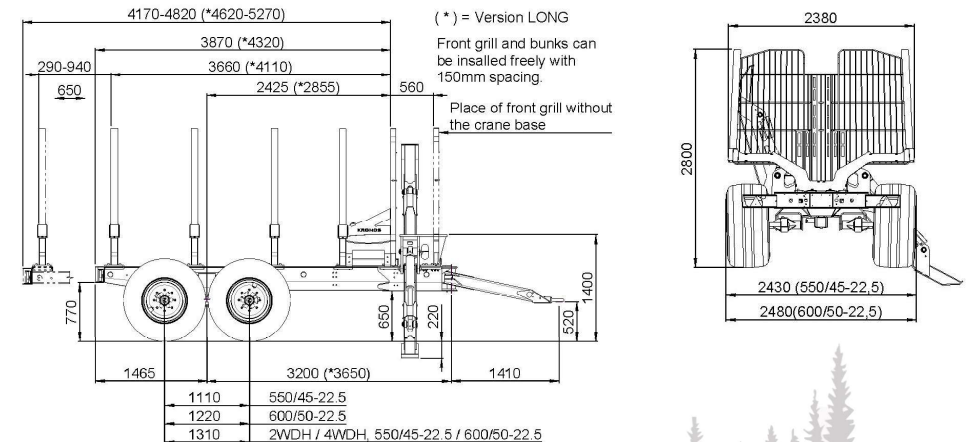




KARGO 121

Load rating without options and crane	12 400 kg
Weight without crane	2 600–4 800 kg
Max vertical boom load	3 000 kg
Load area cross-section	3 m ²
Adjustable load bunks	3 pcs + 1 pcs, integrated with the moveable gate
Hydraulic drawbar	2 cylinders
Turning angle of drawbar	35 degrees
Bogie movement range	20 degrees
Tyres	550/45-22,5 (600/50-22,5 option)
Brakes	no brakes / hydraulic / pneumatic / 1 axle or 2 axles
Parking brake	option
Ground clearance	650 mm
Drum brakes	400x80 mm
Driven or nondriven	no drive / 4WD (Robson) / 2WDH (hydraulic) / 4WDH (hydraulic)
Push force 4WD / 2WDH / 4WDH	16 / 26 / 52 kN



KARGO 121

» THE FLEXIBLE TRAILER

Kronos forest trailer **KARGO 121** is flexible and easy to upgrade. With modularization it can be equipped with needed features direct or be retrofitted. The frame is module based and built in one piece like a box which give strength, flexibility and good protection of inside components. This is a big trailer, with a capacity of a 3 m² cross section loading area. It is equipped with strong support legs with 100 mm cylinders. The hydraulic components are well protected inside a strong frame made of sheet metal, and there are no structure-weakening holes in the frame between the front end and the bogie.

» MADE FOR HEAVY USE

Kargo 121 works like a forwarder, with freely movable load supports, and can be equipped with up to 600/50–22,5 tires. The front grill can easily be bolted at the front end of the frame when there is no crane on the trailer. The trailer can be driven with 2WD or 4WD. The ground clearance is 650 mm, and the bottom surface of the frame is flat.

KARGO 121

Optional equipment

1. Hydraulic front grill
2. Crane base and support legs
3. Smart Stabilizer Control (SSC)
4. Frame extension
5. Hydraulic hub drive (2WDH / 4WDH) / wheel drive (Robson)
6. Smart Drive
7. Hydraulic pump equipment
8. Toolbox
9. Rear camera
10. Working lights
11. Foldable rear lights
12. Crane parking support
13. High-rise sides
14. Hitches
Pick-up Hitch (standard) / K80 ball / Bernhofer DIN 11026
15. Tyres
Alliance 328 550/45-22,5 (standard)
Alliance 331 550/45-22,5
Alliance 328 600/50-22,5
Nokian Forest King TRS 600/50-22,5

