

2018 03 20 1101 237 Svenska

# RESERVDELAR SPARE PARTS

# 5006 285 GV 6

Pos Fig	Detalj nr Part no	Ant Qty	Benämning	Description	Anm Notes	Åtdragm mom Torque
	<b>5006 285</b>		<b>GV 6, komplett</b>	<b>GV 6, complete</b>		
1	5006 152R	1	Stator övre	Stator plate, upper		
2	5006 037	4	Vinge	Vane		
3	5006 030	8	Fjäder	Spring		
4	5006 086	1	Rotor	Rotator shaft		
5	1013 580	2	Pinne	Pin		
6	5006 014R	1	Statorring	Stator frame		
7	5006 013R	1	Stator nedre	Stator plate, lower		
8	1002 112	8	Skruv	Screw	M12x120	120 Nm
9	5006 089R	1	Fästplatta	Link,lower		
10	1019 496	3	Bricka	Washer		
11	1019 488	2	Skruv	Screw	M20x100	600 Nm
12	1026 202	1	Skruv	Screw	M20x65	600 Nm
<b>13</b>	<b>5006 027</b>	<b>1</b>	<b>Axiallagersats</b>	<b>Axial bearing kit</b>	<b>Complete</b>	
<b>14</b>	<b>5007 001</b>	<b>1</b>	<b>Shims, sats</b>	<b>Shim, set</b>		
	1017 276	1	Shims	Shim	0,100 mm	
	1017 284	1	Shims	Shim	0,125 mm	
	1017 292	1	Shims	Shim	0,150 mm	
	1017 300	1	Shims	Shim	0,178 mm	
15	1016 203	2	Skruv	Screw	M12x50	
16	1017 326	2	Bricka	Washer		
17	5008 011R	1	Slangskydd	Hoseguard	From s/n 1102985-	
<b>18</b>	<b>5006 049</b>	<b>1</b>	<b>Tätningssats</b>	<b>Seal kit</b>		
19	5001 384	2	Propp	Plug	G1/2	75 Nm

Svenska

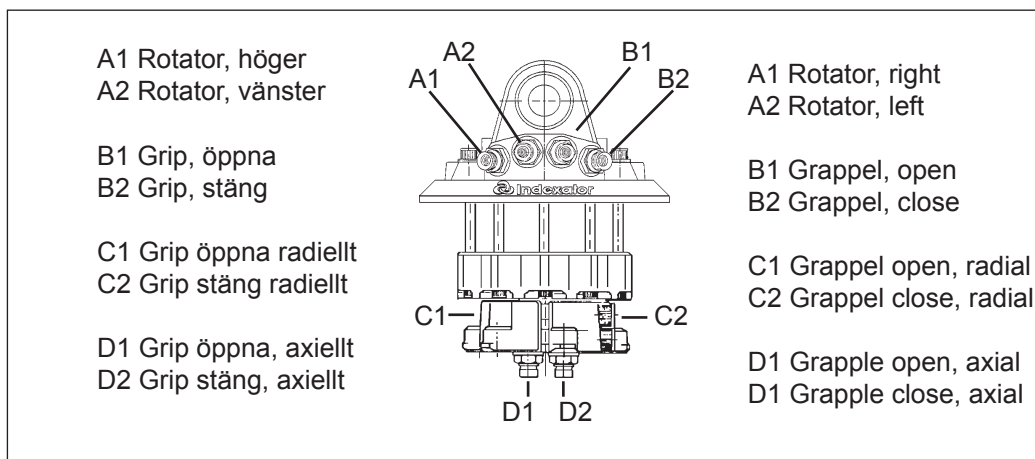
1101 237

2018 03 20

# ADAPTER SATS ADAPTER SET

5006 285 GV 6

Pos Fig	Detalj nr Part no	Ant Qty	Benämning	Description
	<b>5006 111</b>		<b>Adaptersats GV/A G1/2</b>	<b>Adapterset GV/A G1/2</b>
A1, A2	5005 015	2	Adapter G1/2xG1/2 Ø2,5	Adapter G1/2xG1/2 Ø2,5
B1, B2	1076 975	2	Adapter G1/2xG1/2	Adapter G1/2xG1/2
C1, C2/				
D1, D2	1076 975	2	Adapter G1/2xG1/2	Adapter G1/2xG1/2
A, B, C, D	1001 957	6	Tätning Gummistålbricka G1/2	Bonded seal G1/2
	<b>5006 079</b>		<b>Adaptersats GV/A G3/8</b>	<b>Adapterset GV/A G3/8</b>
A1, A2	5005 016	2	Adapter G1/2xG3/8 Ø2,5	Adapter G1/2xG3/8 Ø2,5
B1, B2	1076 983	2	Adapter G3/8xG1/2	Adapter G3/8xG1/2
C1, C2/				
D1, D2	1076 983	2	Adapter G3/8xG1/2	Adapter G3/8xG1/2
A, B, C, D	1001 957	6	Tätning Gummistålbricka G1/2	Bonded seal G1/2
	<b>5006 045</b>		<b>Adaptersats GV/A UNF 3/4</b>	<b>Adapterset GV/A UNF 3/4</b>
A1, A2	5005 018	2	Adapter G1/2xUNF3/4 Ø2,5	Adapter G1/2xUNF3/4 Ø2,5
B1, B2	5001 070	2	Adapter G1/2xUNF3/4	Adapter G1/2xUNF3/4
C1, C2/				
D1, D2	5001 070	2	Adapter G1/2xUNF3/4	Adapter G1/2xUNF3/4
A, B, C, D	1001 957	6	Tätning Gummistålbricka G1/2	Bonded seal G1/2
	<b>5006 114</b>		<b>Adaptersats GV/A UNF 7/8</b>	<b>Adapterset GV/A UNF 7/8</b>
A1, A2	5007 042	2	Adapter G1/2xUNF7/8 Ø2,5	Adapter G1/2xUNF7/8 Ø2,5
B1, B2	5001 057	2	Adapter G1/2xUNF7/8	Adapter G1/2xUNF7/8
C1, C2/				
D1, D2	5001 057	2	Adapter G1/2xUNF7/8	Adapter G1/2xUNF7/8
A, B, C, D	1001 957	6	Tätning Gummistålbricka G1/2	Bonded seal G1/2



Svenska

1101 237

2018 03 20